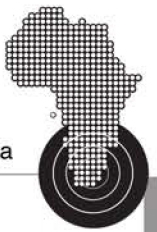
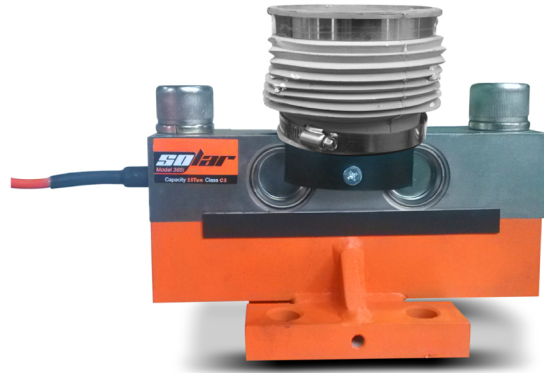


RICHTER SCALE

Visit www.load-cell.co.za • T +27 (0)12 386 3065 • E: loadcells@richterscale.co.za



Solar Model 365i DOUBLE SHEAR BEAM LOAD CELL



Full-encapsulated Welding Load Cell
General Data
Model: Solar 365i-C3-25t
Material: Alloy Steel

Capacity	t	25
Accuracy class		C3
Output sensitivity	mv/v	2.3 ± 0.002
Maximum number of verification intervals	n max	3000
Minimum load cell verification intervals	v min	E _{max} /7500
Combined error	(%FS)	≤ ±0.020
Creep	(%FS / 30min)	≤ ±0.02
Temperature effect on sensitivity	(%FS / 10 °C)	≤ ± 0.011
Temperature effect on zero	(%FS / 10 °C)	≤ ± 0.015
Input resistance	(Ω)	750 ± 7
Output resistance	(Ω)	703 ± 4
Insulation resistance	(MΩ)	≥ 5000 (50VDC)
Zero balance	(%FS)	0 ~ 1.5
Temperature compensated	(°C)	-10 ~ +40
Temperature allowed	(°C)	-30 ~ +65
Excitation recommended	(V)	5 ~ 12 (DC)
Excitation Max	(V)	18 (DC)
Safe overload	(%FS)	120
Ultimate overload	(%FS)	150
Protection		IP68
Cable	m	25

ORANGE OUTER SHEATH COLOUR

ELECTRICAL CONNECTION

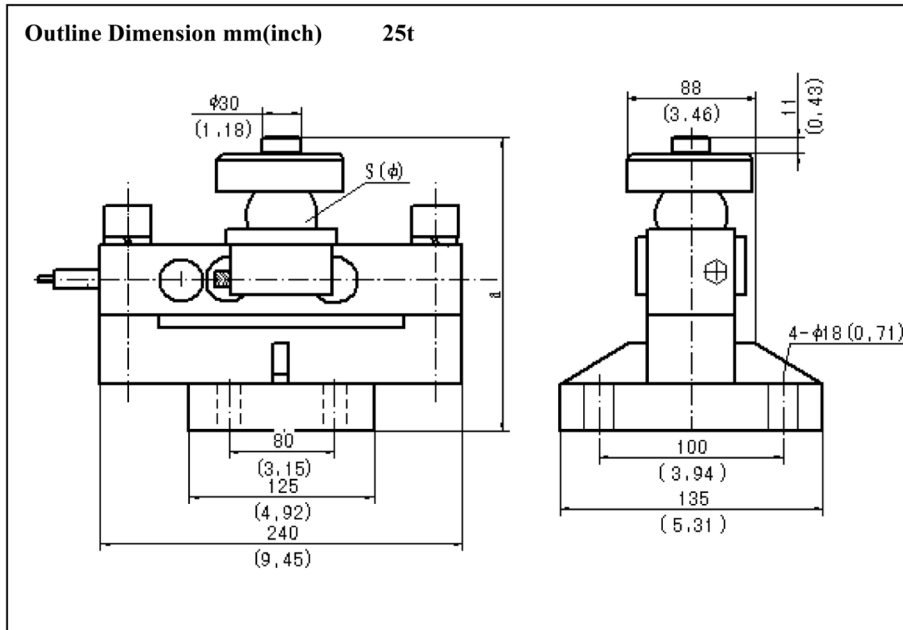
RED ——— + EXC
YELLOW ——— - EXC
BLUE ——— + SIGNAL
WHITE ——— - SIGNAL
BARE ——— SHIELD



BUILT IN LIGHTNING PROTECTION

Built in lightning protection into every loadcell - Impulse discharge current 4000A @ 8/20µs

CAUTION: Cutting cable will affect the Full Scale Output calibration.



Capacity	25t
H	225 (8.86)
S ϕ	76 (2.99)

Cable diameter $\phi 5.5$ mm