



## HM-2-401

Capacity	Part number
1t	HM-2-401-1t
2t	HM-2-401-2t
3t	HM-2-401-3t
5t	HM-2-401-5t
10t	HM-2-401-10t
15t	HM-2-401-15t
20t	HM-2-401-20t
30t	HM-2-401-30t
50t	HM-2-401-50t

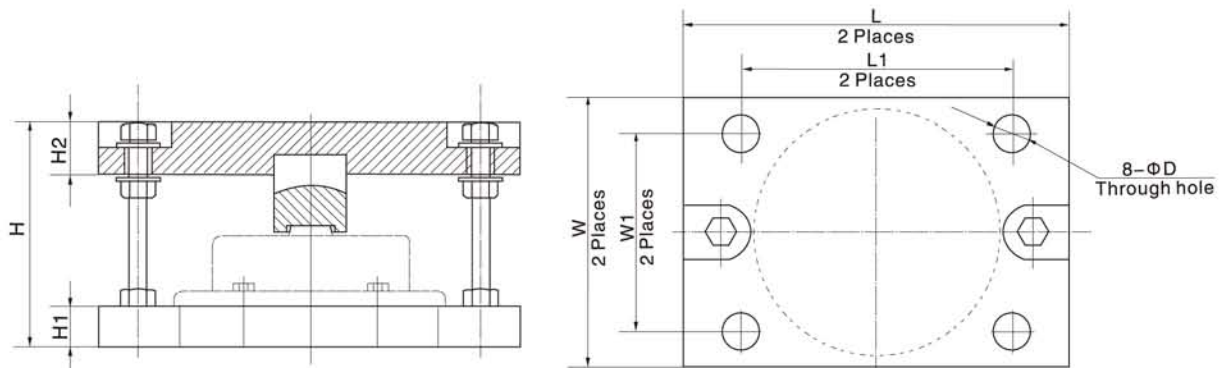
### Features:

- Compact construction, easy installation
- With anti-reversal ability
- With horizontal locating ability
- With self-aligning ability



Alloy steel, assembled with: H2F

### Outline Dimension mm(inch)



Dimension Capacity	H	H1	H2	L	L1	W	W1	ΦD
1t-5t	112 (4.41)	20 (0.79)	27 (1.06)	228 (8.98)	168 (6.61)	170 (6.69)	110 (4.33)	17.5 (0.69)
10t	143 (5.63)	25 (0.98)	31 (1.22)	260 (10.24)	200 (7.87)	200 (7.87)	140 (5.51)	20 (0.79)
15t	163 (6.42)	30 (1.18)	37 (1.46)	294 (11.57)	234 (9.21)	234 (9.21)	174 (6.85)	20 (0.79)
20t	173 (6.81)	30 (1.18)	37 (1.46)	320 (12.6)	260 (10.24)	260 (10.24)	200 (7.87)	20 (0.79)
30t	200 (7.87)	35 (1.38)	47 (1.85)	330 (12.99)	270 (10.63)	270 (10.63)	210 (8.27)	23 (0.91)
50t	225 (8.86)	40 (1.57)	55 (2.17)	364 (14.33)	294 (11.57)	294 (11.57)	224 (8.82)	27 (1.06)