



Accessory

Visit www.load-cell.co.za • T +27 (0)12 386 3065 • E: loadcells@richterscale.co.za

HL-3-005

Capacity	Part number
25kg-50kg	HL-3-005-25/50kg
100kg-150kg	HL-3-005-100/150kg
200kg-1000kg	HL-3-005-200/1000kg
1.5t	HL-3-005-1.5t
2t-3t	HL-3-005-2/3t
5t	HL-3-005-5t

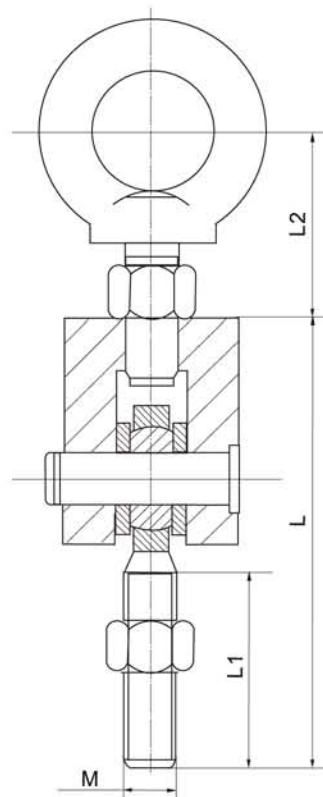
Features:

Matched with S type load cells, suitable for hybrid scales, crane scales, packaging scales, hopper scales, and other electronic weighing devices.



Alloy steel, assembled with: H3, B3G, H3G, H3F, BM3.

Outline Dimension mm(inch)



Capacity	Dimension	L	L1	L2	M	Lifting weight
25kg-50kg		77(3.03)	21(0.83)	22(0.87)	M8	0.16t
100kg-150kg		83(3.27)	26(1.02)	27(1.06)	M10	0.25t
200kg-300kg		89(3.50)	28(1.10)	33(1.3)	M12	0.4t
500kg-750kg		89(3.50)	28(1.10)	38(1.5)	M12	1.0t
1t		89(3.50)	28(1.10)	43(1.7)	M12	1.08t
1.5t		118(4.65)	28(1.10)	42(1.65)	M12	1.6t
2t-3t		133(5.24)	43(1.69)	63(2.48)	M20 × 1.5	3.0t
5t		149(5.87)	43(1.69)	78(3.07)	M20 × 1.5	6.0t