



Accessory

Visit www.load-cell.co.za • T +27 (0)12 386 3065 • E: loadcells@richterscale.co.za

HJ-8-217

Capacity	Part number
0.5t-2t	HJ-8-217-0.5/2t
500lb-4Klb	HJ-8-217-500lb/4K

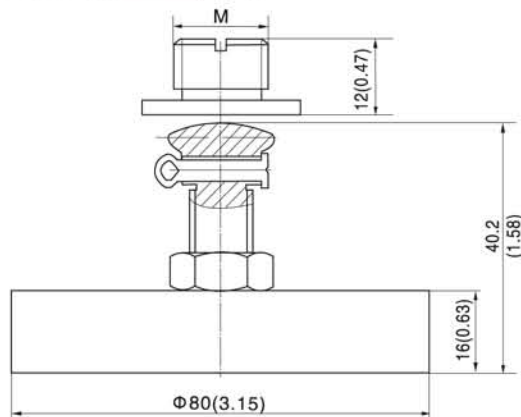
Features:

Easy installation, adjustable height, automatically centralized inside, good ability of anti-side loading. Mainly used for platform scales, floor scales and other electronic weighing devices.



Alloy steel, rubber supporting subassembly , assembled with: BM8H,H8H

Outline Dimension mm(inch)



Capacity	M
0.25-2t	M12×1.75
500lb-4K	1/2-20UNF

HJ-8-218

Capacity	Part number
0.25t-2t	HJ-8-218-0.25/2t
5t	HJ-8-218-5t
500lb-4Klb	HJ-8-218-500lb/4K
10Klb	HJ-8-218-10K

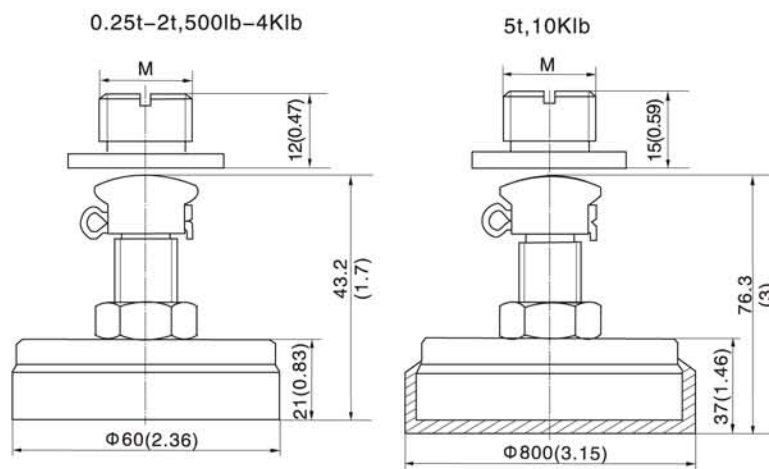
Features:

Easy installation, adjustable height, automatically centralized inside, good ability of anti-side loading. Mainly used for platform scales, floor scales and other electronic weighing devices.



Alloy steel, rubber supporting subassembly
Assembled with: BM8H,H8H

Outline Dimension mm(inch)



Capacity	M
250kg-2t	M12×1.75
5t	M20×2.5
500lb-4Klb	1/2-20UNF
10Klb	3/4-16UNF