



Accessory

Visit www.load-cell.co.za • T +27 (0)12 386 3065 • E: loadcells@richterscale.co.za

HJ-8-203

Capacity **Part number**
0.5-2t HJ-8-203-0.5/2t

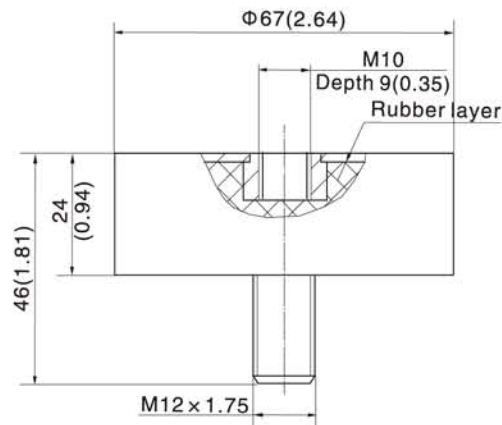
Features:

Alloy steel with rubber inside, slightly adjustable of the slant, easy installation.
Mainly used for platform scales, packaging scales, hybrid scales and other electronic weighing devices.



Alloy steel, assembled with: H8C,B8D,HM8C,BM8D

Outline Dimension mm(inch)



BJ-8-205

Capacity **Part number**
0.5-2t BJ-8-205-0.5/2t
250lb-4KSE BJ-8-205-250lb/4KSE

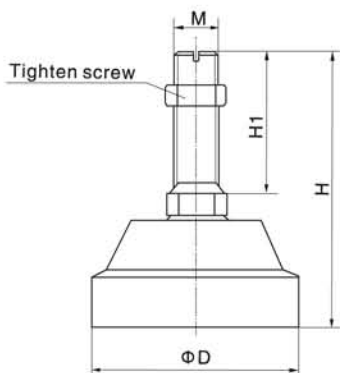
Feature:

Easy installation, adjustable height, anti-corrosion, automatically centralized inside, good ability of anti-side loading.
Mainly used for platform scales, floor scales and other electronic weighing devices under hazardous environments.



Stainless steel, assembled with: B8D,H8C

Outline Dimension mm(inch)



Capacity	Dimension	ΦD	H	H1	M
0.5t-2t		80	105	50	M12 × 1.75
250lb-4Klb		(3.15)	(4.13)	(1.97)	1/2-20UNF