

# RICHTER SCALE



## H8

Visit [www.load-cell.co.za](http://www.load-cell.co.za) • T +27 (0)12 386 3065 • E: [loadcells@richterscale.co.za](mailto:loadcells@richterscale.co.za)



- H8 load cells are available in the capacities 0.5t~50t.
- Alloy steel, sealed by adhesive inside, oil-proof, waterproof and anti-corrosion, suitable for all kinds of environments.
- Single shear beam, easy for installation, suitable for electronic truck scales, track scales, hopper scale and other electronic weighing devices.
- Safe and anti-explosive product, can be used in atrocious environment and hazardous areas.

### Features

- Capacity: 0.5t~50t
- High accuracy
- Alloy steel construction
- Low profile
- OIML Certificates No:R60/2000-CNI-06.09
- PTB Approval No:D09-05.20

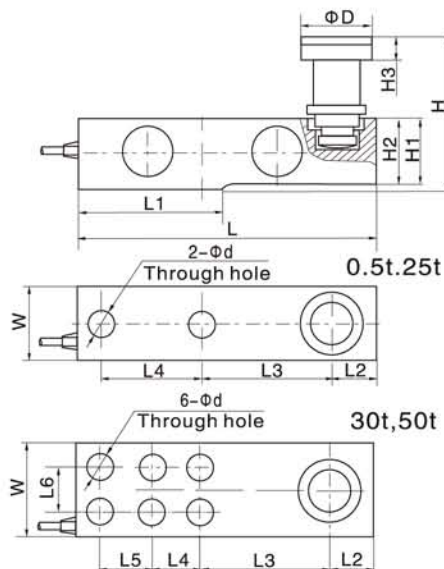
### Accessories

- HY-8-101
- HM-8-401
- BM-8-406

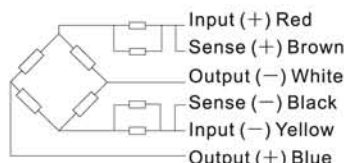


Specifications						
Capacity	t	0.5/1/2/2.5/3/5/10/15/20/25/30/50				
Accuracy		C2	C3	A5M	B10M	
Approvals		OIML R60 C3				
Maximum number of verification intervals	n <sub>max</sub>	2000	3000	5000	10000	
Minimum load cell verification interval	v <sub>min</sub>	E <sub>max</sub> /5000	E <sub>max</sub> /10000	E <sub>max</sub> /15000	E <sub>max</sub> /10000	
Combined error	(%FS)	≤±0.030	≤±0.020	≤±0.026	≤±0.050	
Creep	(%FS/30min)	≤±0.024	≤±0.016	≤±0.017	≤±0.040	
Temperature effect on sensitivity	(%FS/10°C)	≤±0.017	≤±0.011	≤±0.013	≤±0.040	
Temperature effect on zero	(%FS/10°C)	≤±0.023	≤±0.015	≤±0.014	≤±0.020	
Output sensitivity	(mv/v)	2.0±0.002				
Input resistance	(Ω)	350±3.5				
Output resistance	(Ω)	351±2.0				
Insulation resistance	(MΩ)	≥5000(50VDC)				
Zero balance	(%FS)	1.0				
Temperature, compensated	(°C)	-10~+40				
Temperature, operating	(°C)	-35~+65				
Excitation, recommended	(V)	5~12(DC)				
Excitation, max	(V)	18(DC)				
Safe overload	(%FS)	150				
Ultimate overload	(%FS)	300				

### Outline Dimension mm(inch)



Capacity	Dimension															
	H	H1	H2	H3	ΦD	Φd	W	L	L1	L2	L3	L4	L5	L6		
0.5-2t	57.9 (2.28)	43 (1.69)	37 (1.47)	5 (0.2)	35 (1.38)	13 (0.51)	37 (1.47)	203 (7.99)	95 (3.74)	22 (0.87)	98 (3.86)	64 (2.52)	/	/		
2.5 t	57.9 (2.28)	43 (1.69)	37 (1.47)	5 (0.2)	35 (1.38)	15 (0.59)	37 (1.47)	203 (7.99)	95 (3.74)	22 (0.87)	98 (3.86)	64 (2.52)	/	/		
3t	62.9 (2.48)	43 (1.69)	37 (1.47)	5 (0.2)	35 (1.38)	15 (0.59)	37 (1.47)	203 (7.997)	95 (3.74)	22 (0.87)	98 (3.86)	64 (2.52)	/	/		
5t	78.7 (3.1)	52 (2.05)	48 (1.89)	8 (0.31)	42 (1.65)	21 (0.83)	48 (1.89)	235 (9.25)	110 (4.33)	22 (0.87)	124 (4.88)	66 (2.6)	/	/		
10t,15t	127.7 (5.03)	67 (2.64)	60 (2.36)	12 (0.47)	57 (2.24)	28 (1.10)	60 (2.36)	279 (10.98)	133 (5.24)	32 (1.26)	140 (5.51)	82 (3.32)	/	/		
20t,25t	143.5 (5.65)	82.5 (3.25)	70 (2.76)	12 (0.47)	70 (2.76)	34 (1.34)	70 (2.76)	318 (12.52)	153 (6.02)	38 (1.5)	159 (6.26)	89 (3.5)	/	/		
30t	174 (6.85)	115 (4.53)	90 (3.54)	18 (0.71)	70 (2.76)	26 (1.02)	96 (3.78)	374 (14.72)	189 (7.44)	44.5 (1.75)	181 (7.13)	76 (2.99)	51 (2.01)	46 (1.81)		
50t	213 (8.39)	143 (5.63)	100 (3.94)	28 (1.1)	85 (3.35)	29 (1.14)	105 (4.13)	416 (16.38)	210 (8.27)	48 (1.89)	196 (7.72)	92 (3.62)	56 (2.2)	52 (2.05)		



### Wiring:

Adopt shielded, 6 conductor cable: Φ6.2mm  
Standard cable length: 4m(0.5~3t), 7m(5t),  
12m(10~50t)  
Cable type and cable length for customers'  
own application are available on requests.