

Accessory

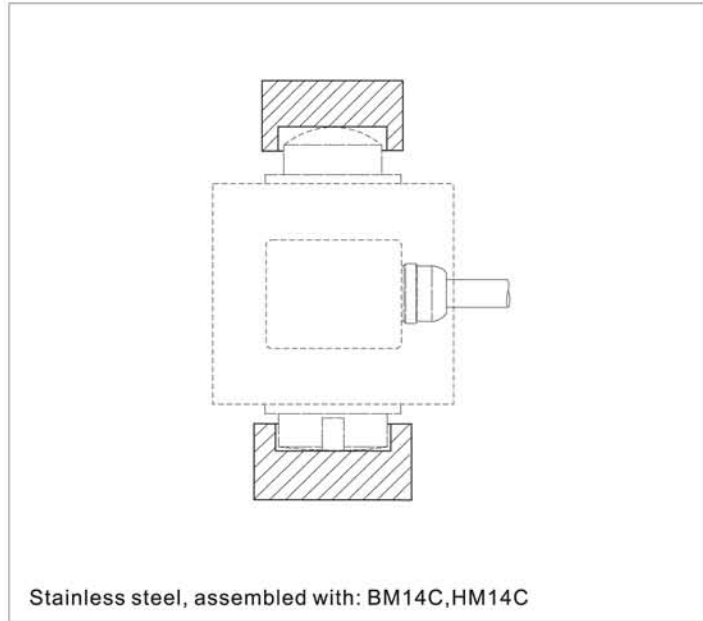
Visit [www.load-cell.co.za](http://www.load-cell.co.za) • T +27 (0)12 386 3065 • E: [loadcells@richterscale.co.za](mailto:loadcells@richterscale.co.za)

## BY-14-117

Capacity	Part number
0.5t-5t	BY-14-117-0.5/5t
10t-50t	BY-14-117-10/50t

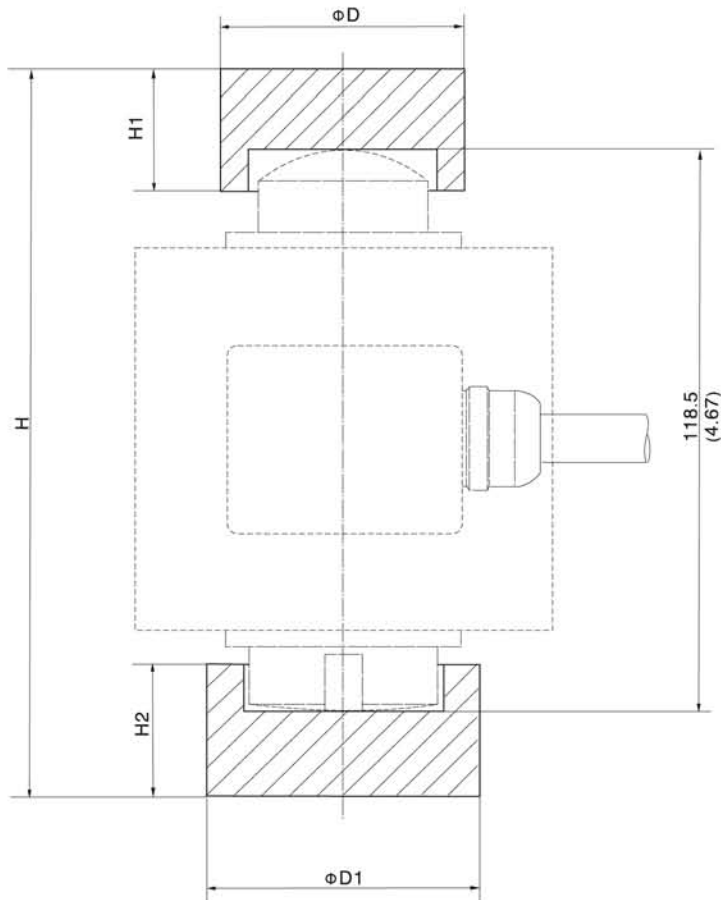
### Features:

With slope stopping ability,  
and anti-rotation construction.



Stainless steel, assembled with: BM14C, HM14C

### Outline Dimension mm(inch)



Capacity	0.5t-5t	10t-50t
<b>Dimension</b>		
$\phi D$	52 (2.05)	68 (2.68)
$\phi D1$	58 (2.28)	68 (2.68)
H	154.5 (6.08)	168.5 (6.63)
H1	23 (0.91)	35 (1.38)
H2	28 (1.1)	35 (1.38)