



Accessory

Visit www.load-cell.co.za • T +27 (0)12 386 3065 • E: loadcells@richterscale.co.za

BM-8-406

Capacity	Part number
0.25t-2t	BM-8-406-0.25/2t
5t	BM-8-406-5t
500lb-5Klb	BM-8-406-500lb/5K
10Klb	BM-8-406-10K

Features:

- Compact construction, easy installation
- With anti-reversal ability
- With anti-overloading ability
- With self-aligning ability
- Good ability against corrosive environments.



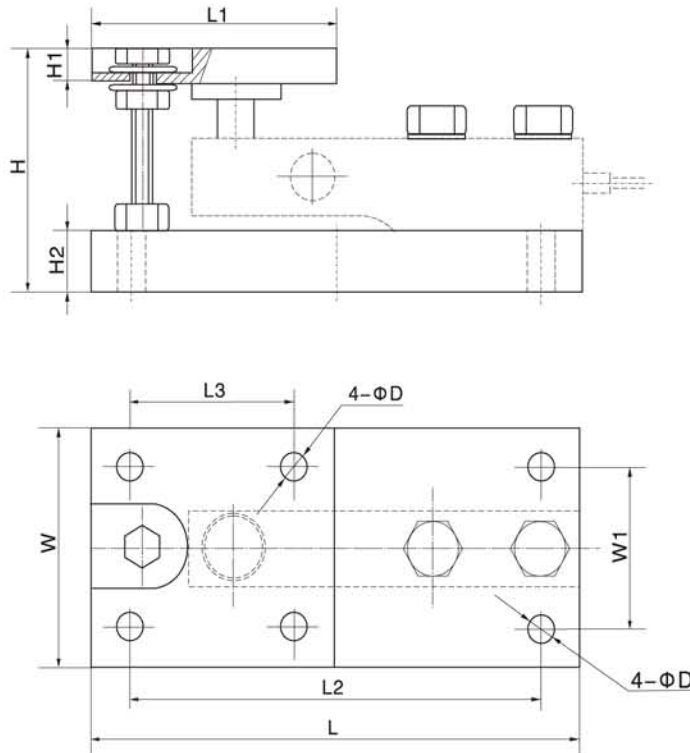
Optional table

Part number	Designation	Cutline
BM-8-406-1	Fixed	
BM-8-406-2	Half-floating	
BM-8-406-3	Floating	

Specifications

Capacity	t	0.25-2	5
Ultimate load	%FS	150	150
Max. Horizontal displacement	mm	4	4
Max. anti-rotation	KN	3	10
Material	Stainless steel		

Outline Dimension mm(inch)



Dimension	Capacity	
	0.25-2t 0.5-5Klb	5t 10Klb
L	177.8 (7.0)	235 (9.25)
L1	114.3 (4.5)	152.4 (6.0)
L2	152.4 (6.0)	184.2 (7.25)
L3	88.9 (4.5)	101.6 (4.0)
H	104.8 (4.13)	136.5 (5.37)
H1	25.4 (1.0)	32 (1.26)
H2	19 (0.75)	25.4 (1.0)
W	104.8 (4.13)	136.5 (5.37)
W1	88.9 (4.5)	101.6 (4.0)
ΦD	11 (0.43)	17.5 (0.69)