



Accessory

Visit www.load-cell.co.za • T +27 (0)12 386 3065 • E: loadcells@richterscale.co.za

BJ-8-221

Capacity **Part number**
0.5t-2t HJ-8-221-0.5/2t

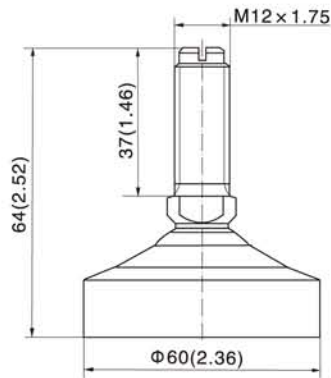
Features:

Easy installation, automatically centralized inside, good ability of anti-side loading. Mainly used for platform scales, floor scales and other electronic weighing devices.



Alloy steel, assembled with: H8C,B8D,HM8C,BM8D

Outline Dimension mm(inch)



HD-8-301

Capacity **Part number**
0.5t-2t HD-8-301-0.5/2t
2.5t-5t HD-8-301-2.5/5t
1Klb-4Klb HD-8-301-1/4K
5Klb-10Klb HD-8-301-5/10K

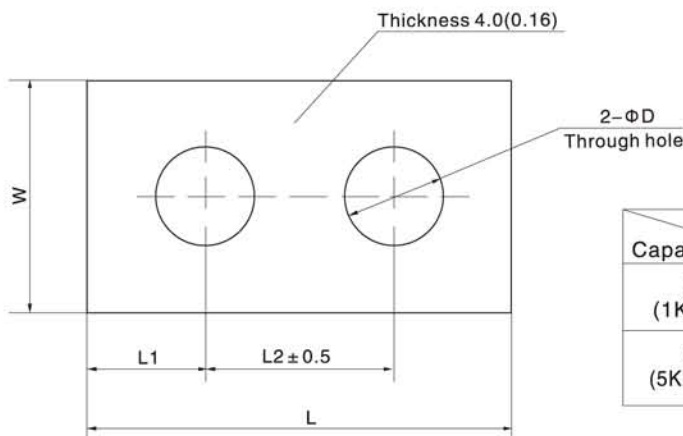
Features:

Mainly used for platform scales, floor scales and other electronic weighing devices.



Alloy steel, surface bluing treatment. Assembled with: B8D,H8C,HM8C,BM8D

Outline Dimension mm(inch)



Dimension Capacity	L	L1	L2	W	D
0.5t-2t (1Klb-4Klb)	54 (2.13)	13 (0.51)	25.4 (1.0)	32 (1.26)	14 (0.55)
2.5t-5t (5Klb-10Klb)	76 (2.99)	19 (0.75)	38 (1.50)	38 (1.50)	20 (0.79)